

6300 Series

SQUARE HARDBOARD HEAVY DUTY STEEL STOOLS



products meet or exceed applicable ANSI/BIFMA standards

MODEL 6324HB SHOWN

Available in adjustable height and/or with backrest.



16 RIVETS ON SEAT TO PREVENT WARPING

300lb. weight capacity!



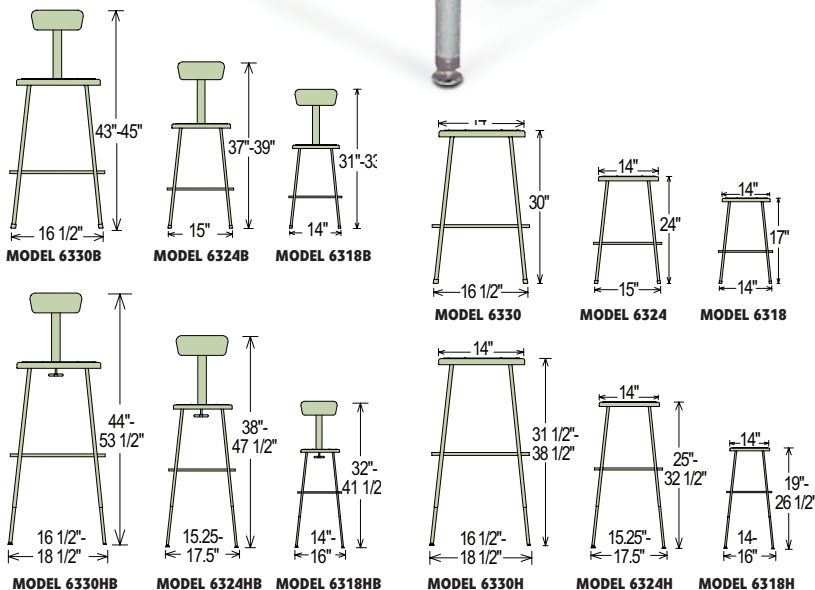
SPECS:

- 18"H, 24"H or 30"H sizes fixed height and adjustable with an optional backrest
- 7/8" O.D. 18-gauge steel tubing
- Features a square, contoured hardboard seat with 16 rivets
- Foot rings, 5/8" O.D. are welded to each leg by 4 contact points at each leg for added rigidity
- Optional backrest; 6"H x 12"W, adjusts up/down and forward/back
- Optional height adjustable legs; adjust in 1" increments up to eight additional inches
- Self-leveling glides available on height-adjustable legs

Stools come in 3 convenient sizes:

- **18"** for use with your **30"** table
- **24"** for use with your **36"** table
- **30"** for use with your **42"** table

or use adjustable legs for alternate height options



National Public Seating

