



EduTouch Pro - Sit and Stand Cart Instruction Manual



Model # EDTCP



EduTouch PRO – Sit and Stand Cart

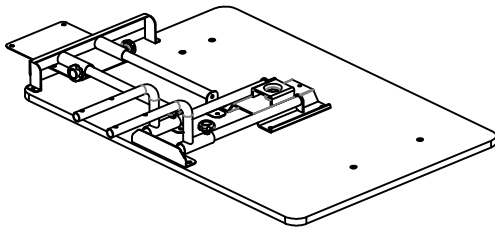
Dear Valued Customer,

Thank you for your purchase. Although extreme care goes into manufacturing and packaging of this product, mistakes are possible. If you encounter any missing parts or difficulty in assembly, etc. please call our toll free customer service line at 1-800-261-4112 for courteous and immediate resolution to your problem.

Sincerely,
OKLAHOMA SOUND

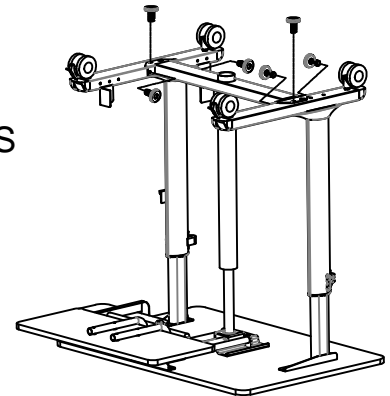
149 Entin Road, Clifton NJ 07014 - (973) 594-9000 FAX; (973) 594-9339—Email: info@oklahomasound.com

step 1



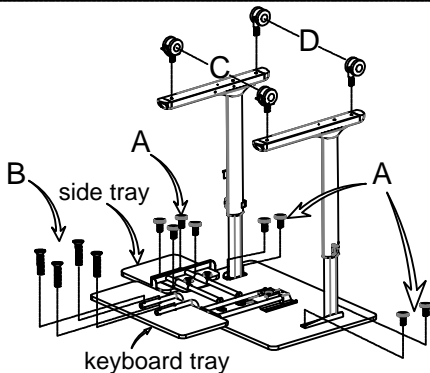
step 3

A
=6 PCS



step 2

- A =8 PCS
- B =4 PCS
- C =2 PCS
- D =2 PCS



Use the enclosed allen & wrench for assembly.

step 4

A
=2 PCS

