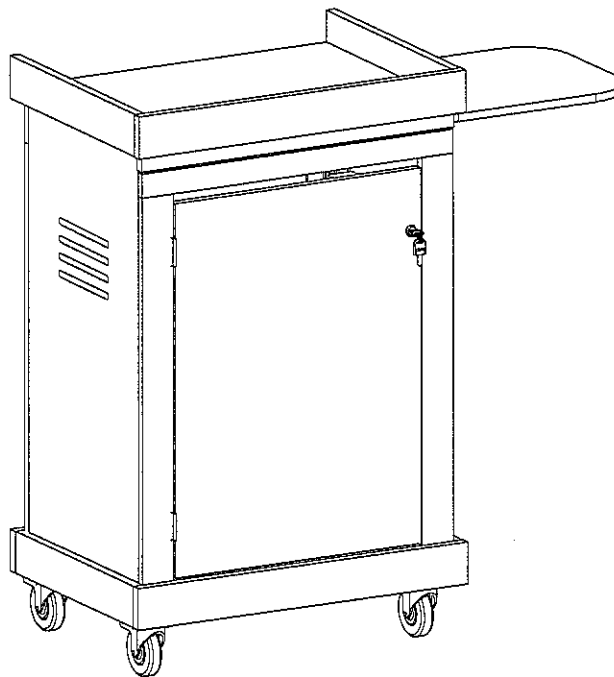




**SCL - Smart Cart
Instruction Manual**



MODEL SCL



OKLAHOMA SOUND

Lecterns With Built-in Sound Systems

Dear Valued Customer,

Thank you for your purchase. Although extreme care goes into manufacturing and packaging of this product, mistakes are possible. If you encounter any missing parts or difficulty in assembly, etc. please call our toll free customer service line at 1-800-261-4112 for courteous and immediate resolution to your problem.

Sincerely,

OKLAHOMA SOUND

149 Entin Road, Clifton, NJ 07014 • 973-594-9000 • Fax 973-594-9339 • e-mail: info@oklahomasound.com

Required Tools for Assembly

1) Crescent Wrench



2) Philips Screwdriver

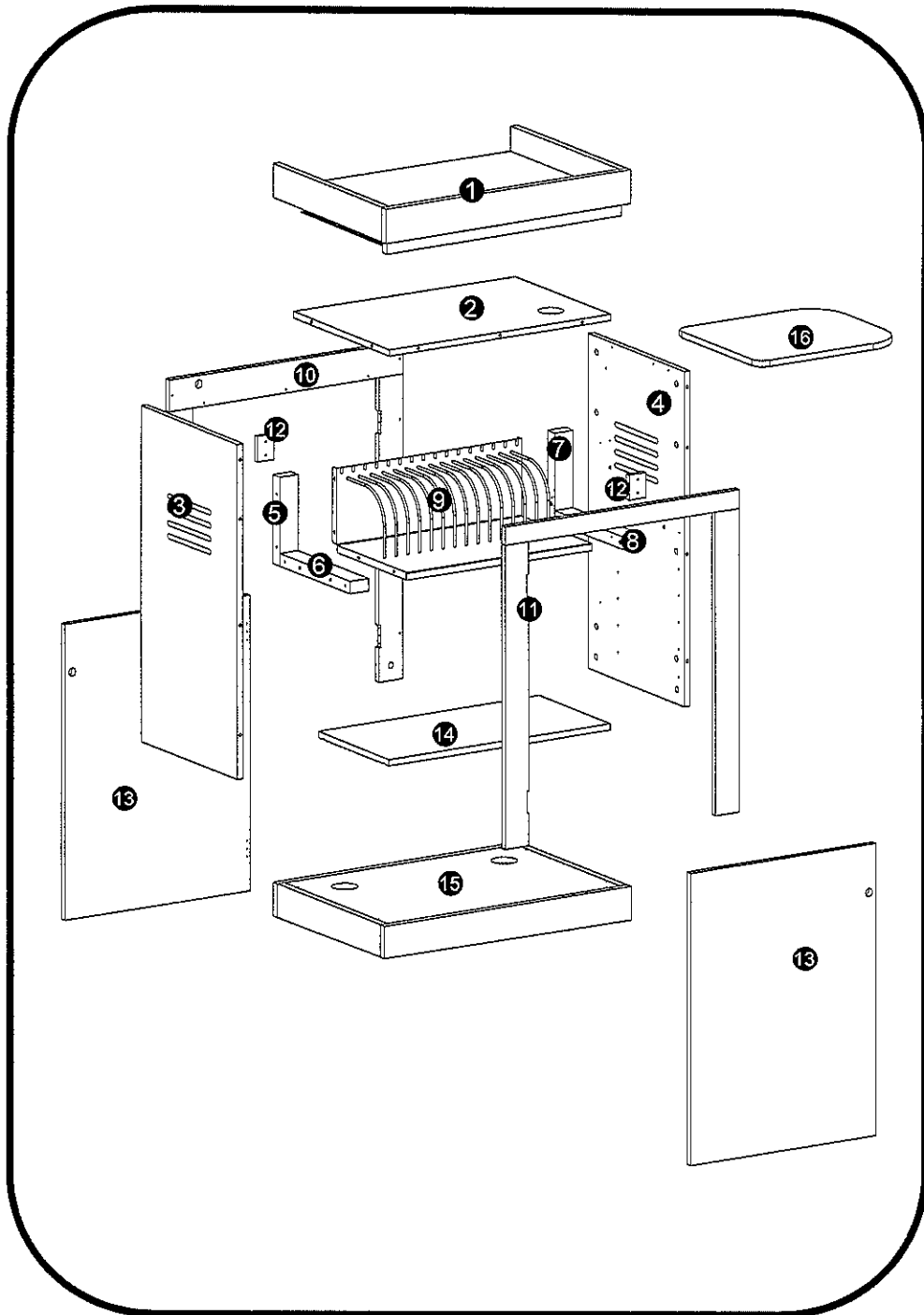


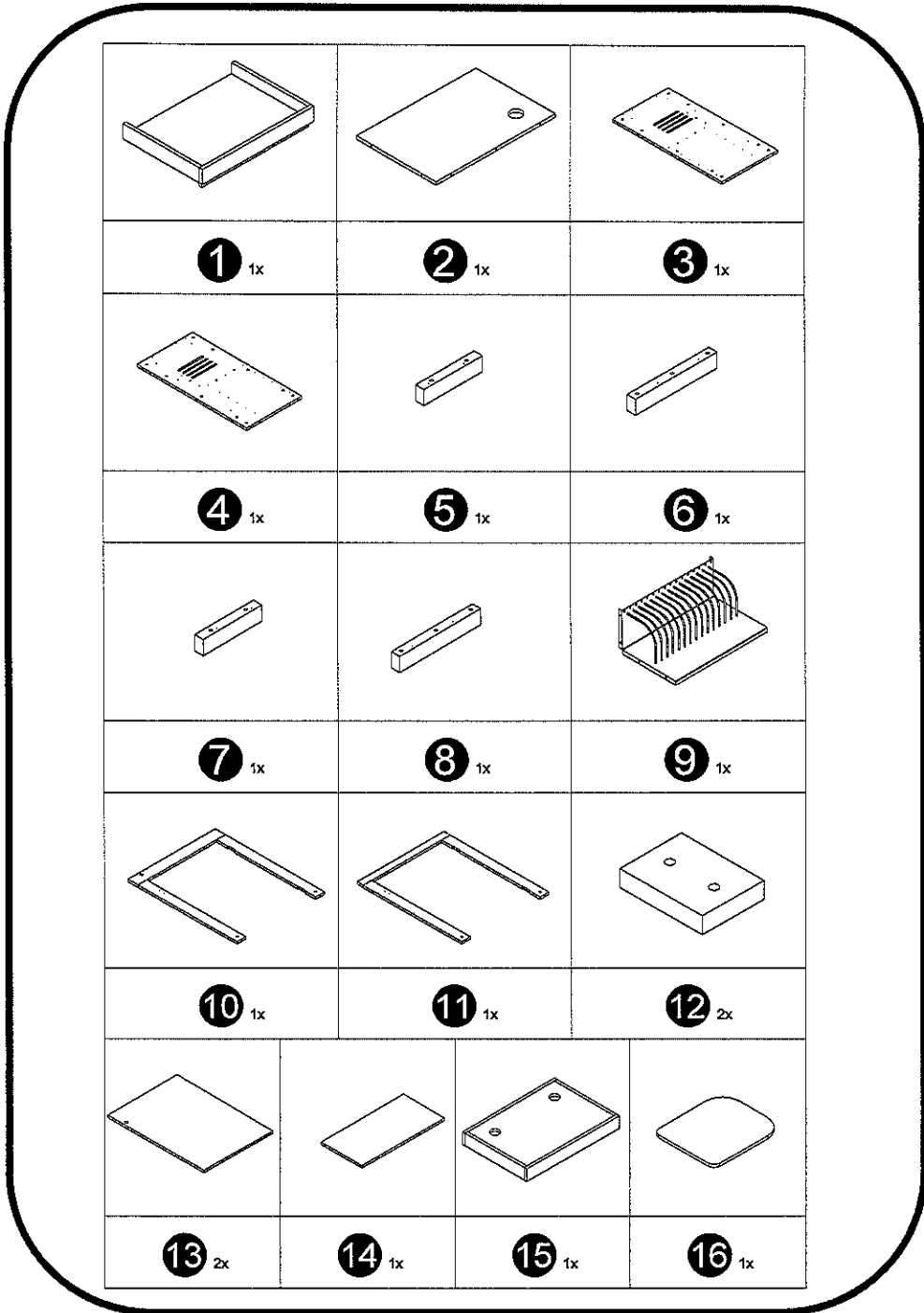
3) Flat Screwdriver

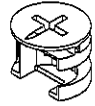


4) Rubber Mallet (suggested)









34x
(A)
CAM
LOCK



34x
(B)
CAM
SCREW



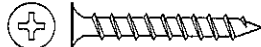
2x
(C)
NON-LOCKING
CASTER



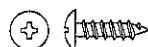
2x
(D)
LOCKING
CASTER



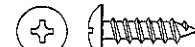
8x
(E)
WOOD
DOWEL
8X30mm



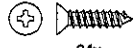
10x
(F)
#10*1-1/2"
BLACK FLAT
HEAD SCREW



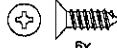
20x
(G)
#6*1/2"
BLACK PAN HEAD
SCREW



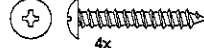
32x
(H)
#10*3/4"
LARGE
HEAD SCREW



24x
(I)
#6*14.5MM
FLAT HEAD SCREW



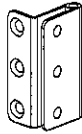
6x
(J)
#8*1/2"
BLACK FLAT HEAD
SCREW



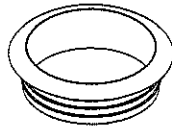
4x
(K)
#8*1"
BLACK PAN HEAD
SCREW



4x
(L)
METAL PLN



4x
(M)
HINGE



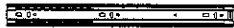
3x
(N)
GROMMET



2x
(O)
STRIKE PLATE



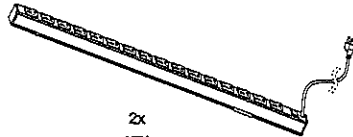
16x
(P)
#10*9/16"
BLACK LARGE HEAD
SCREW



2x
(Q)
14**350MM
EXTENSION RAIL



2x
(R)
BRACKET



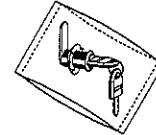
2x
(T)



4x
(S)



16x
(U)
SPACER

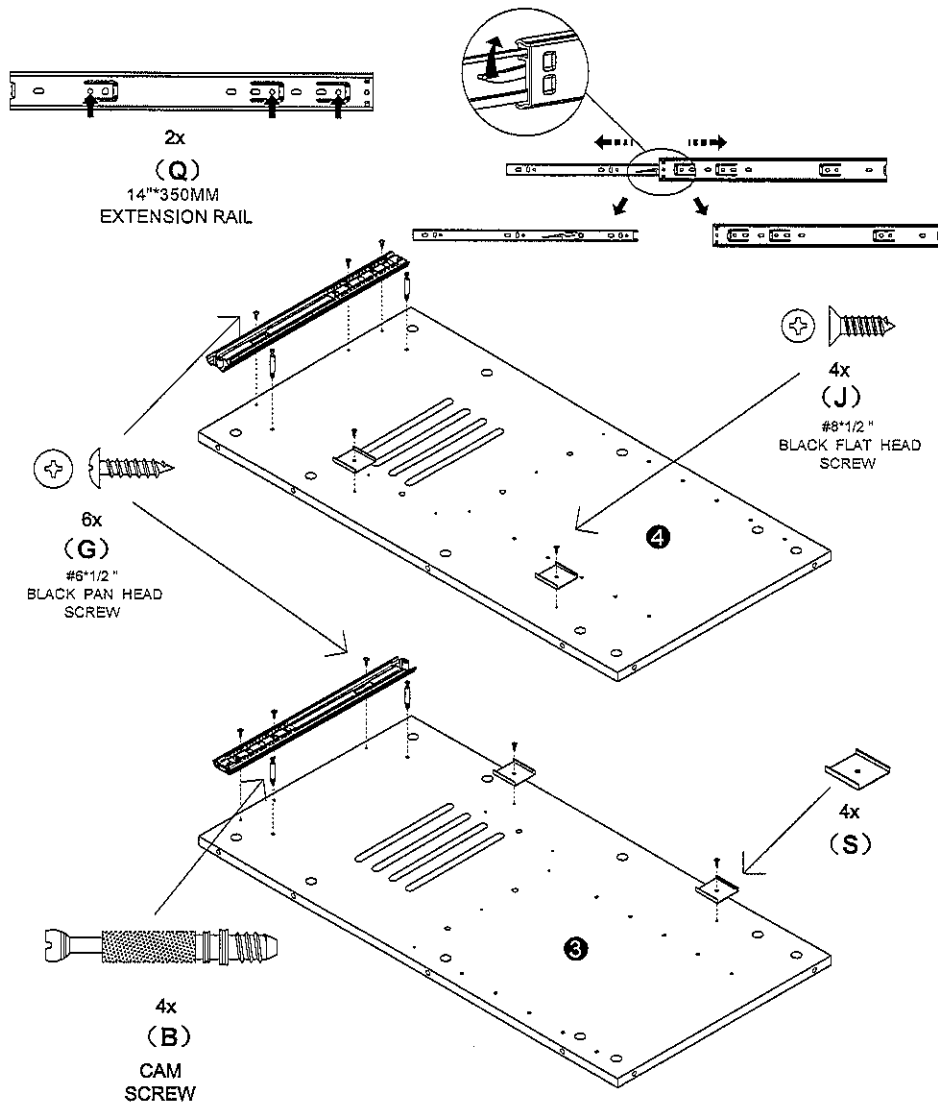


3x
(V)
LOCK PACK

Step1

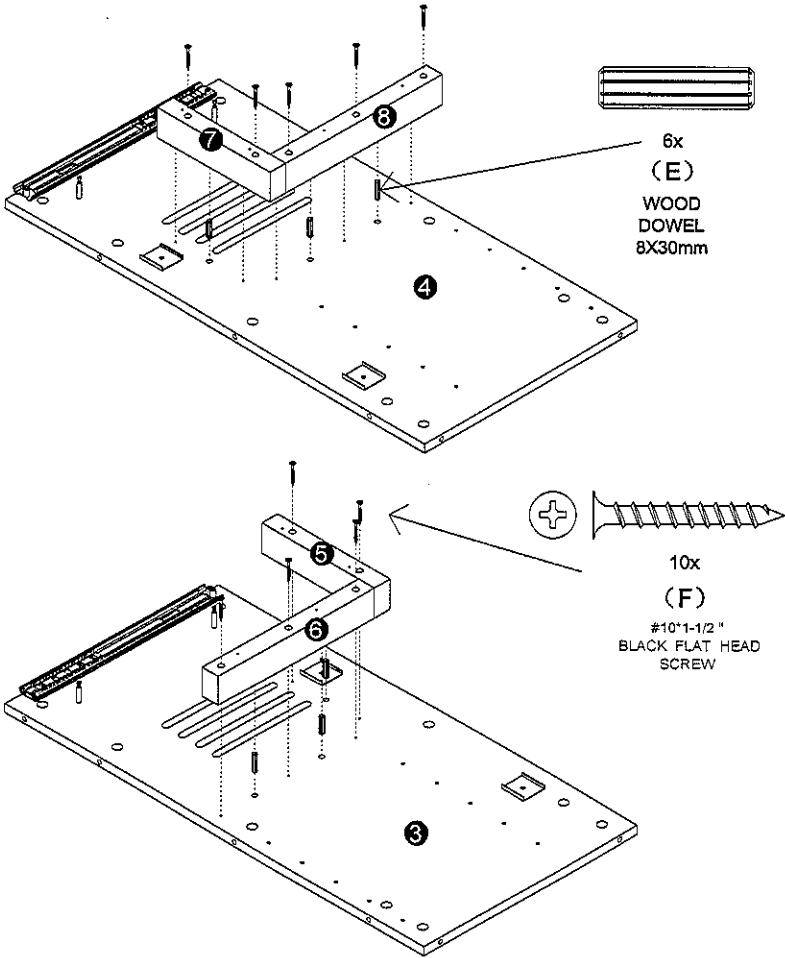
Five Steps...

- 1) Identify the Extension Rails (Part Q) X2
- 2) Separate slide track extension from slide track, by pressing plastic lever as shown below.
- 3) Screw the wider side to the top pre-drilled holes on panels 3&4 using three screws each (part G).
- 4) Identify four power strip clips (Part S). Attach two clips to panels 3&4 using one screw each (part J).
- 5) Install two cam screws (part B) into pre-drilled holes under extension rail on panels 3&4.



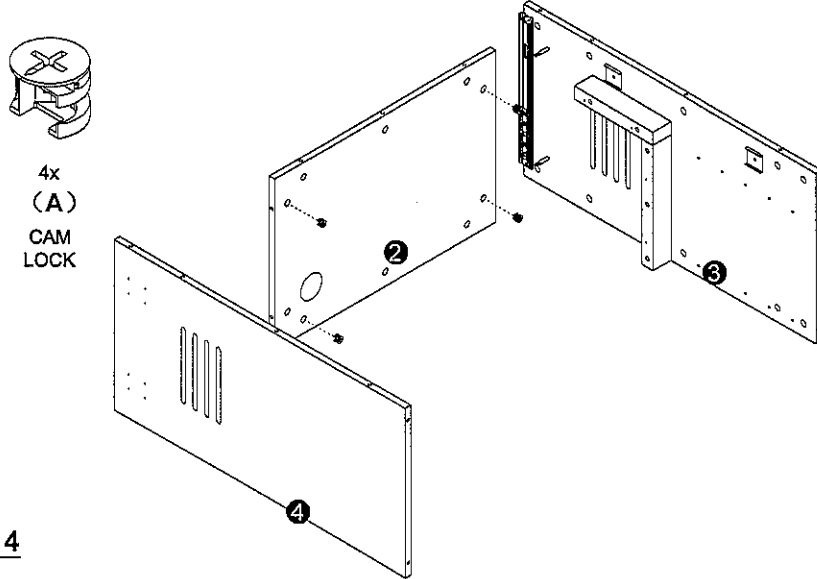
Step 2

Install the wooden dowels (part E) into panels 3&4. Attach part 6/8 to the two dowels , and part 5/7 to the one dowel. Fasten parts 7&8 to panels 3&4 using five screws (part F) each.



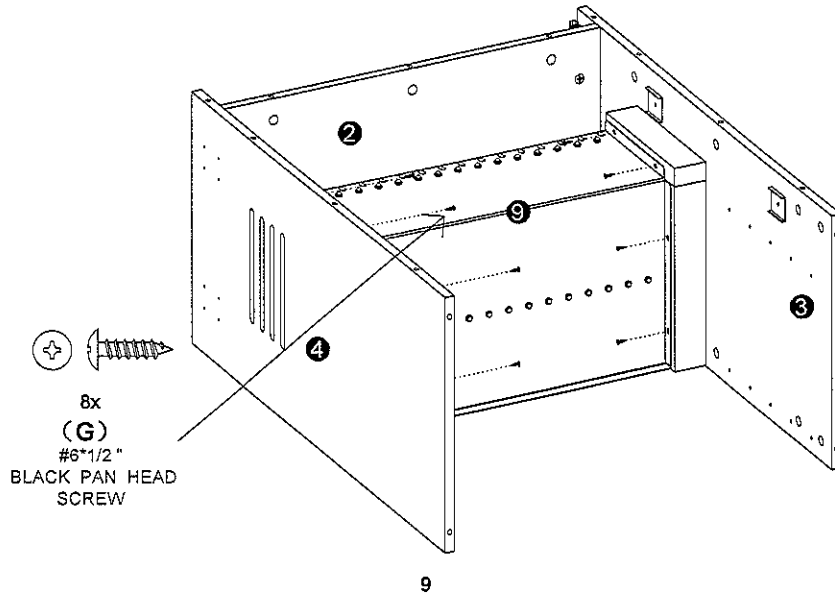
Step 3

Install four cam locks into panel 2, then place panels 3&4 into panel 2. Fasten cam locks
Important note; when installing the cams, arrow should be facing the edge of the panel.



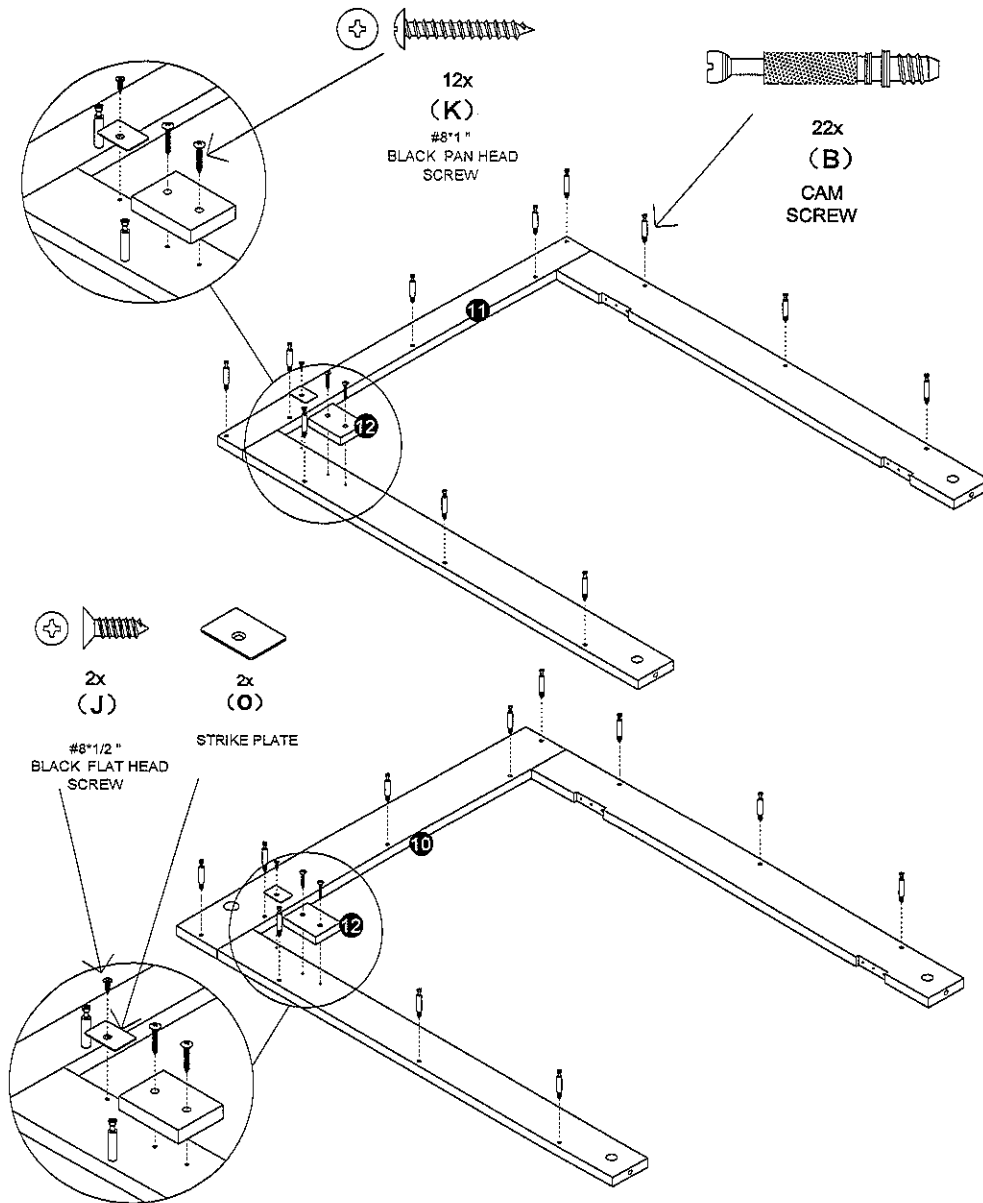
Step 4

Carefully lay down the partially assembled SCL with the power strip clips facing upwards.
Install the charging rack (part 9) to parts 5,6,7and 8 using 8 screws (part G).
When installing, the back of the charging rack should face upwards (as shown below).



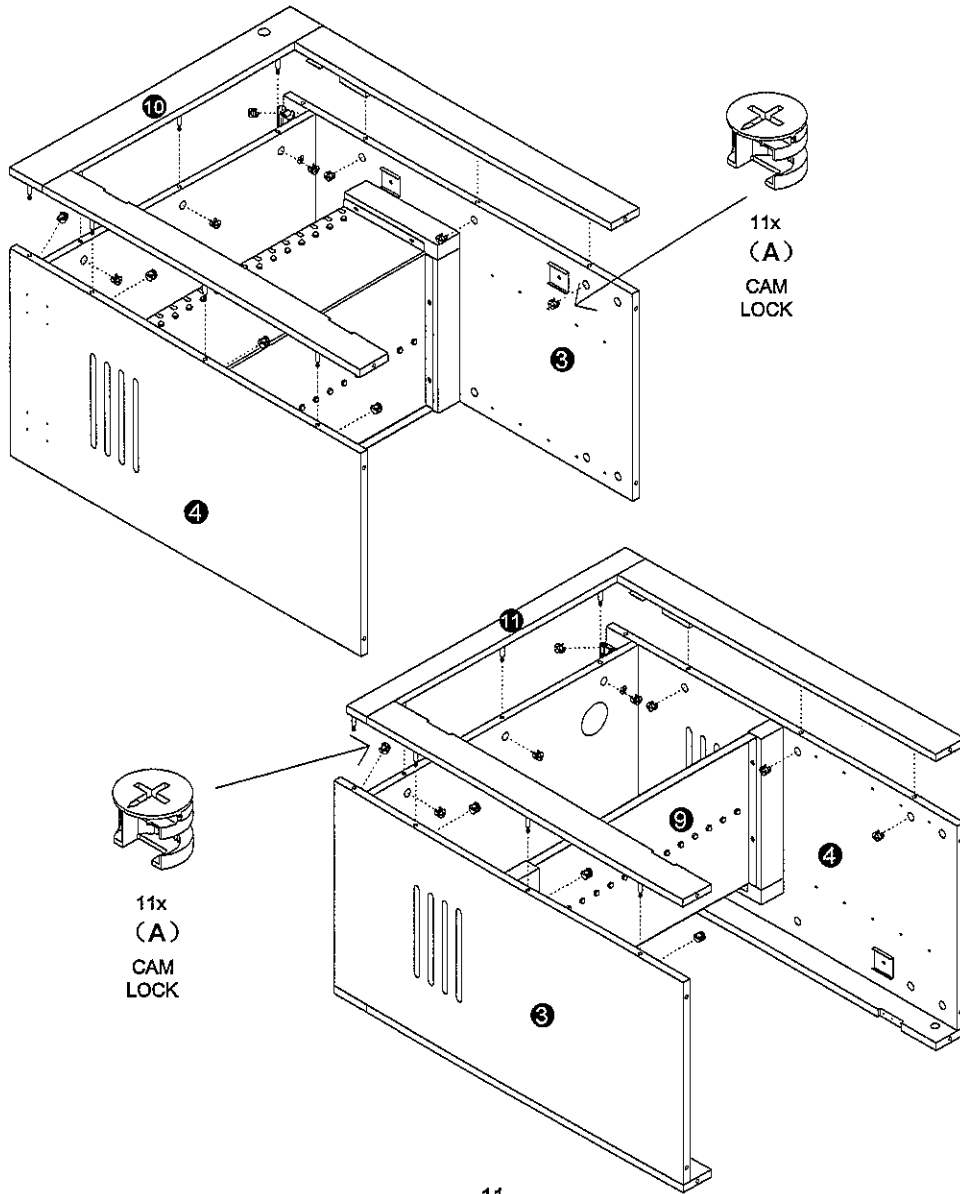
Step 5

Install all cam screws into pre-drilled holes on panels 10&11. Install parts O with 1 screw (part J) each. Install part 12 on both panels using 2 screws (part K) each.



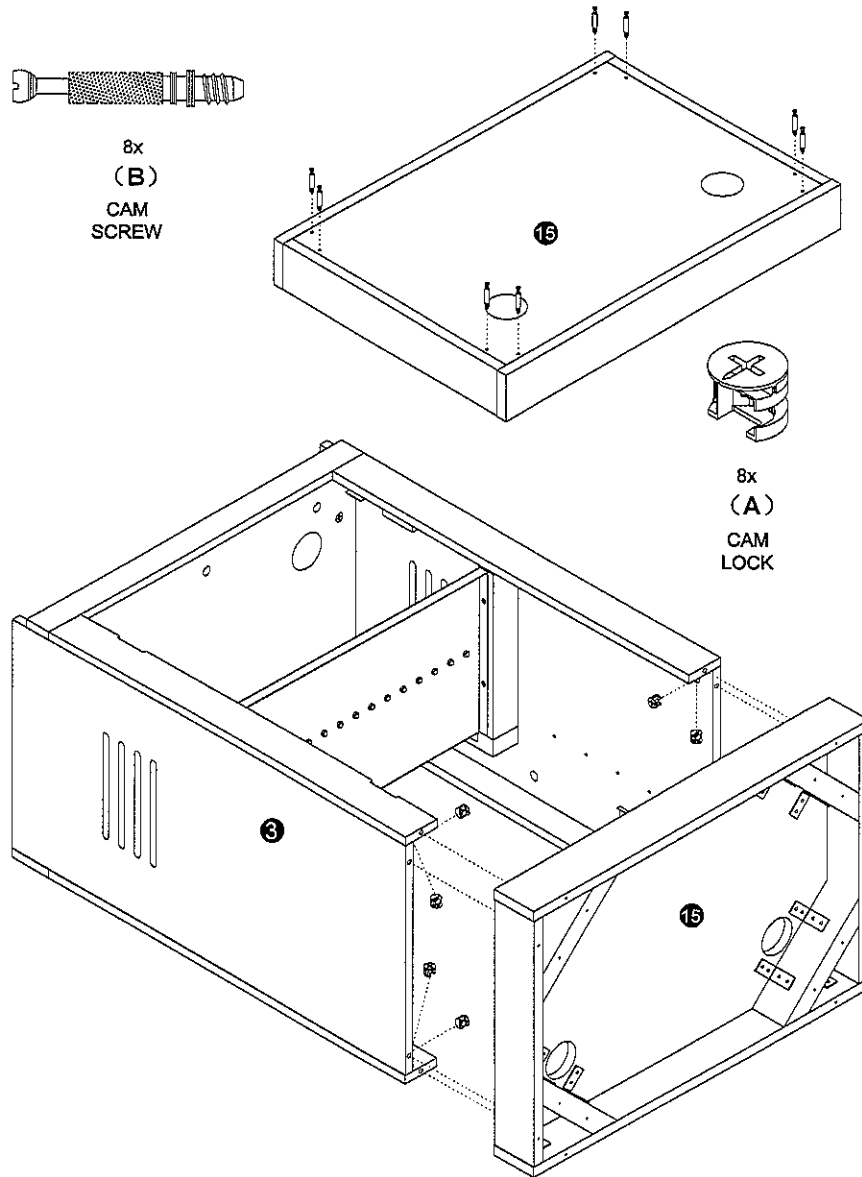
Step 6

Instali 11 cam locks on top panel 10&11 onto panels 3&4. Tighten cam.



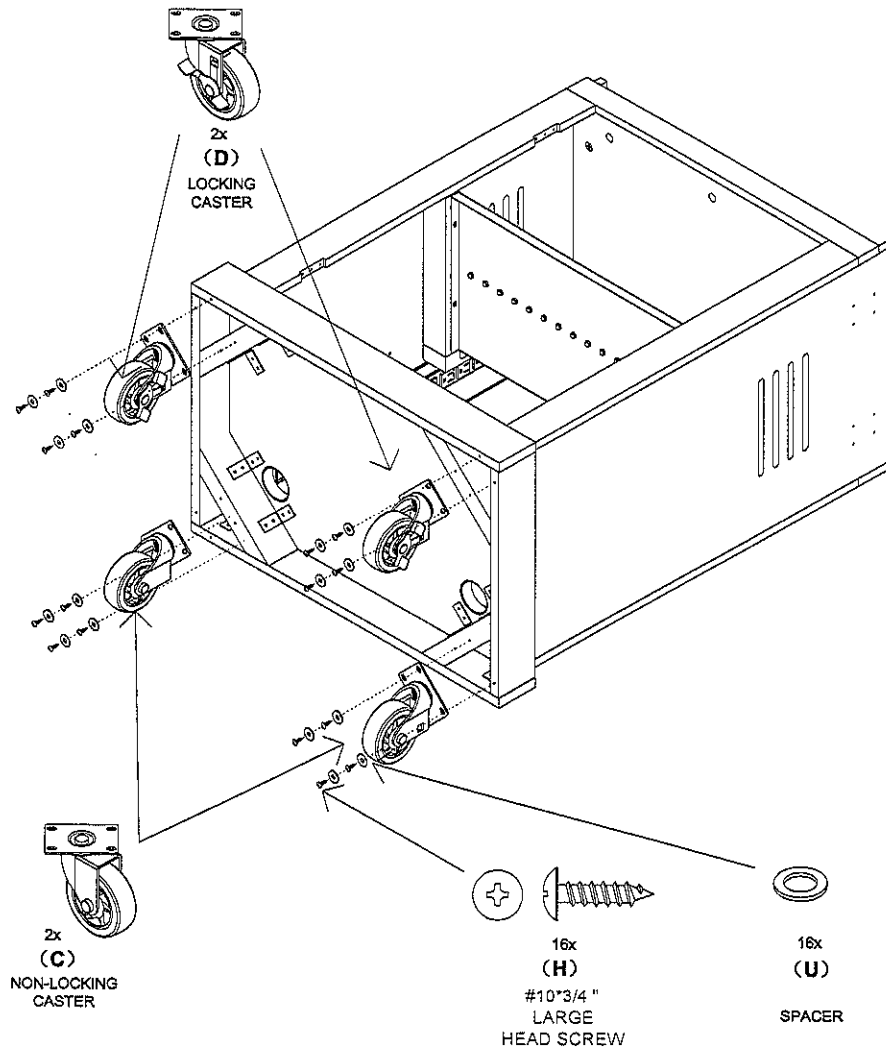
Step 7

Insert 8 cam screws into pre-drilled holes on panel 15. Insert eight cam locks (part A) onto the bottom of panels 3&4. Place panel 15 onto panels 3&4. Tighten cam locks.



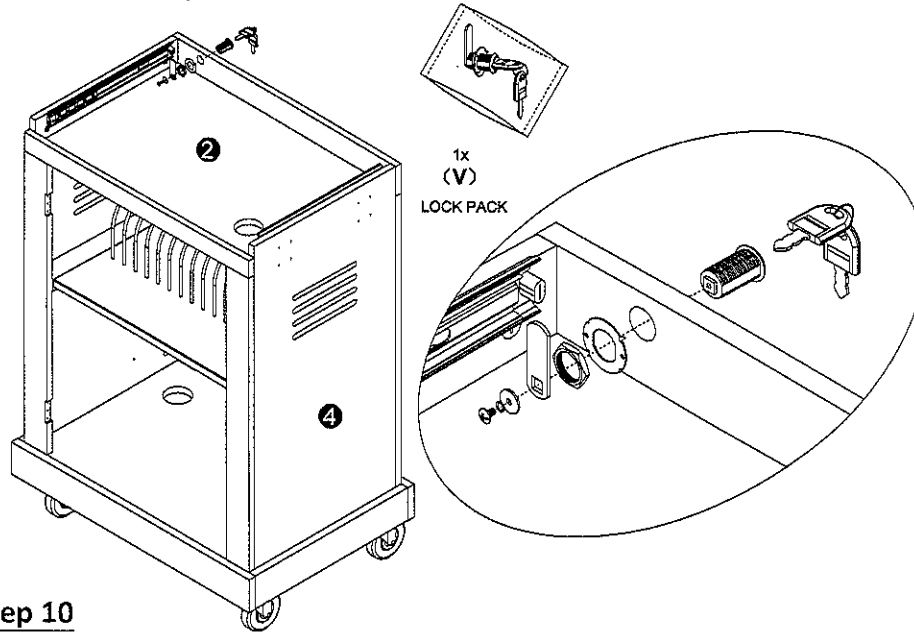
Step 8

Install each caster to the pre-drilled holes on panel 15 using four washers (part U) and screws (part H) per caster. The two non-locking casters should be on the side of the wire grommet holes.



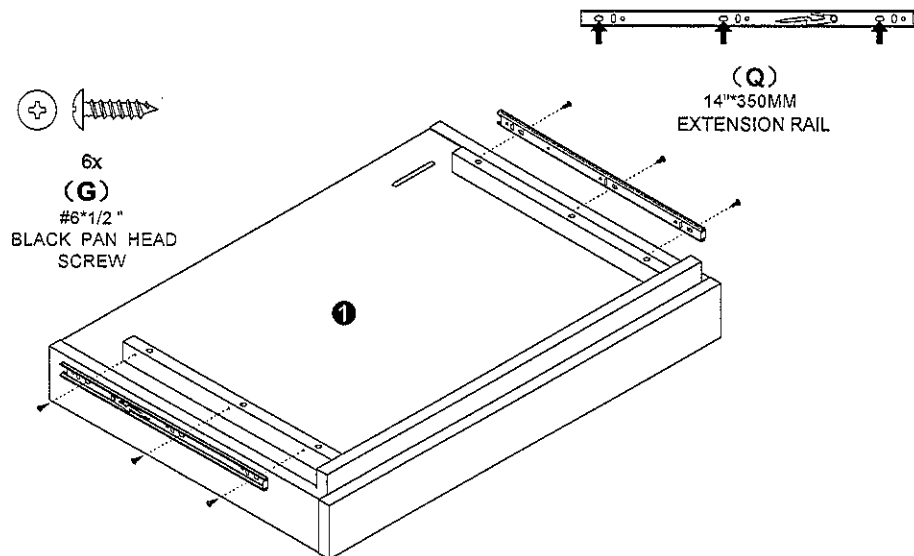
Step 9

Install lock (part V) to the pre-drilled hole on the front side of the cabinet as shown below. Tighten using crescent wrench.



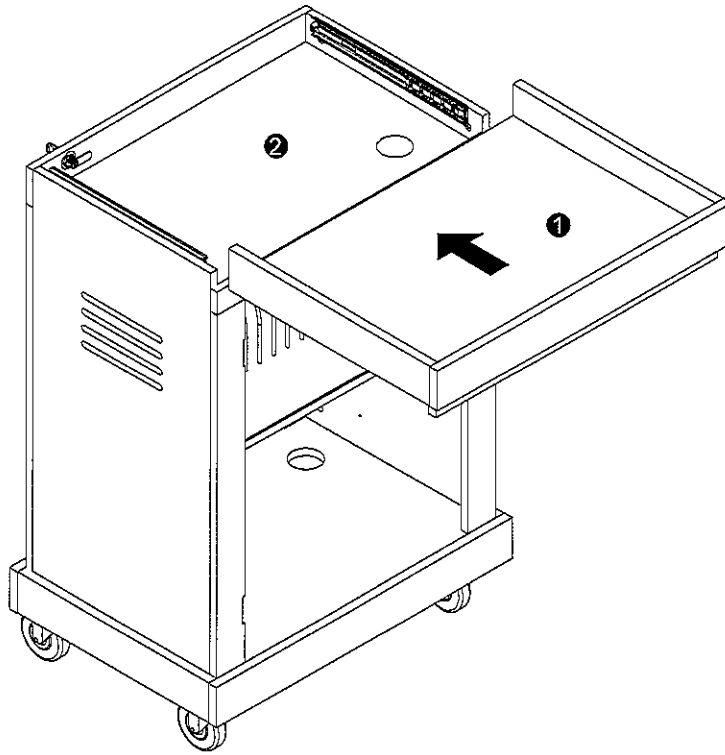
Step 10

Start out by identifying the drawer (part 1) and install extension rail (part Q) to each side of the drawer using three screws each (part G) into the pre-drilled holes.



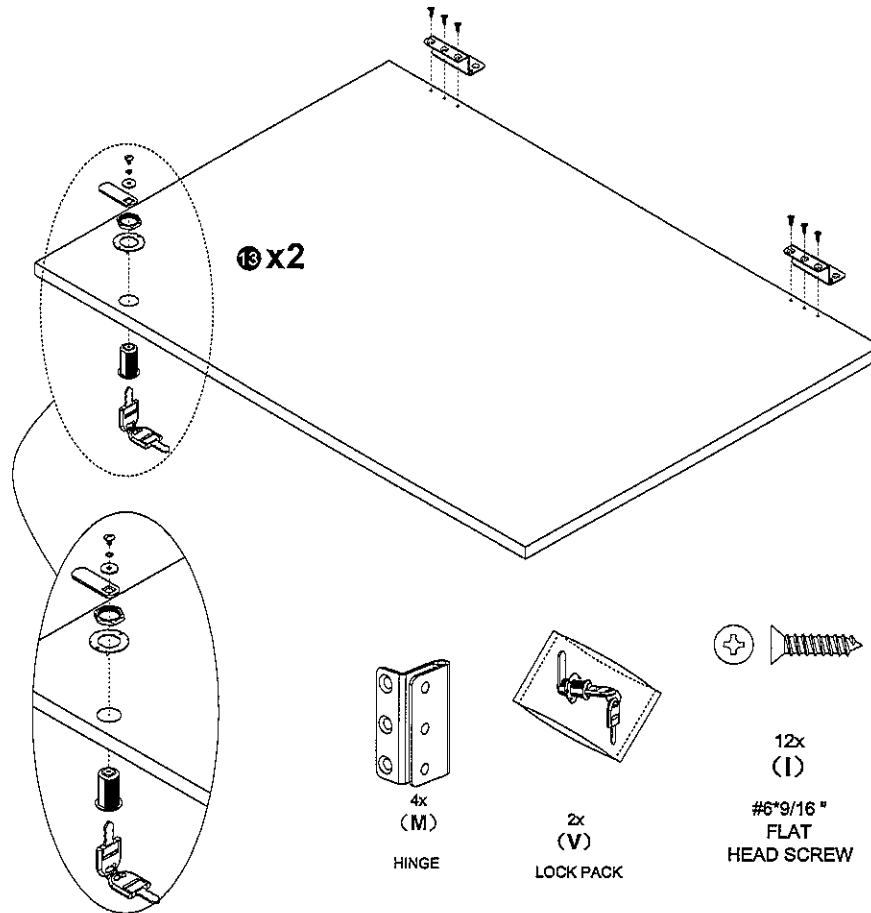
Step 11

Install the slide out drawer by sliding onto the tracks on top of cabinet.



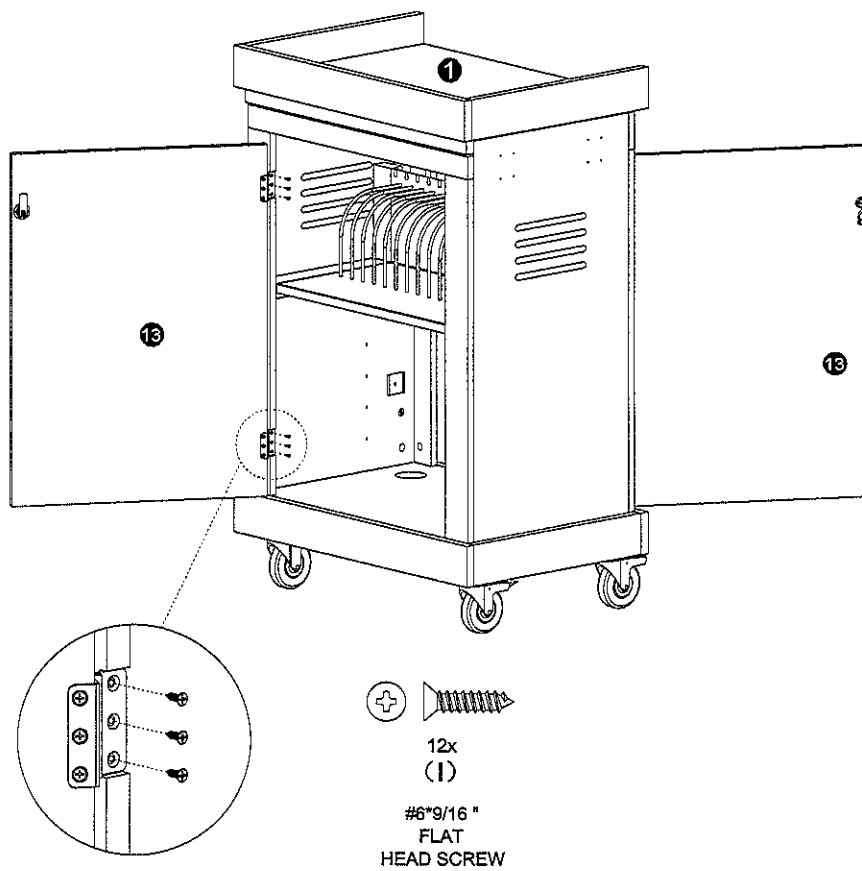
Step 12

Install the two locks (part V) to the pre-drilled holes on both doors. Tighten using crescent wrench. Install two hinges (part M) to each door (panels 13) using three screws each (part I).



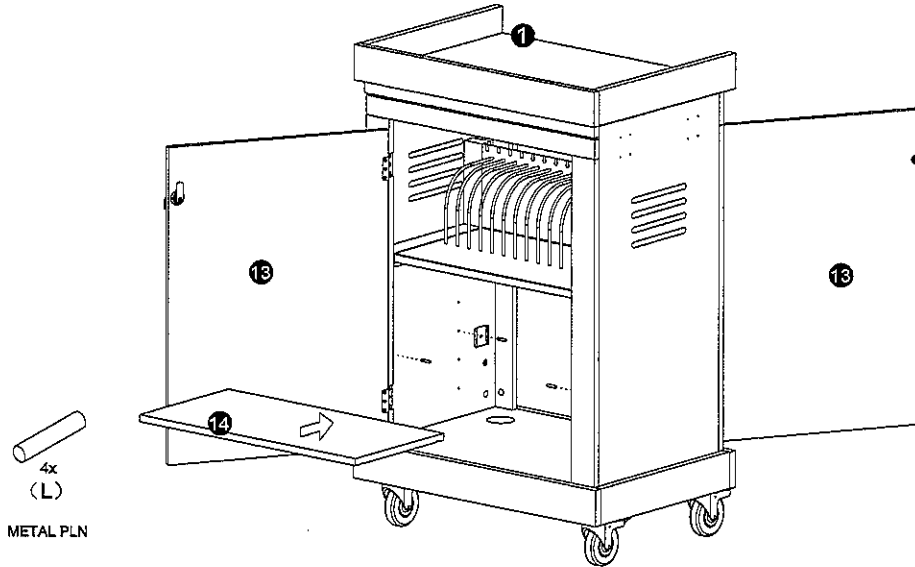
Step 13

Align door hinges on each door with the pre-drilled holes on the left side panel of the cabinet. Use three screws (part I) to attach each hinge to the cabinet.



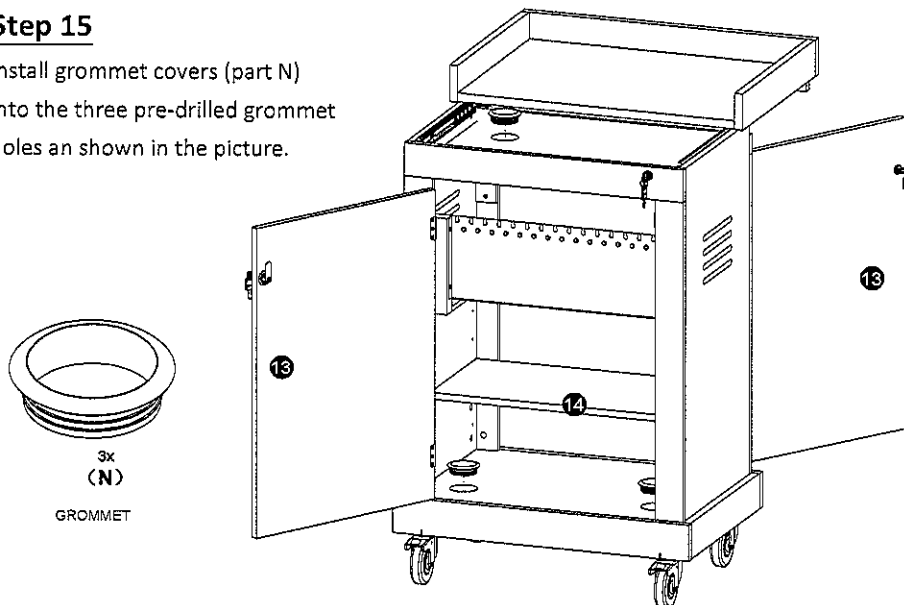
Step 14

Install 4 shelf supports (part L) into holes on the side panels at the desired height. Place shelf (panel 14) onto shelf supports.



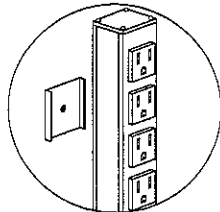
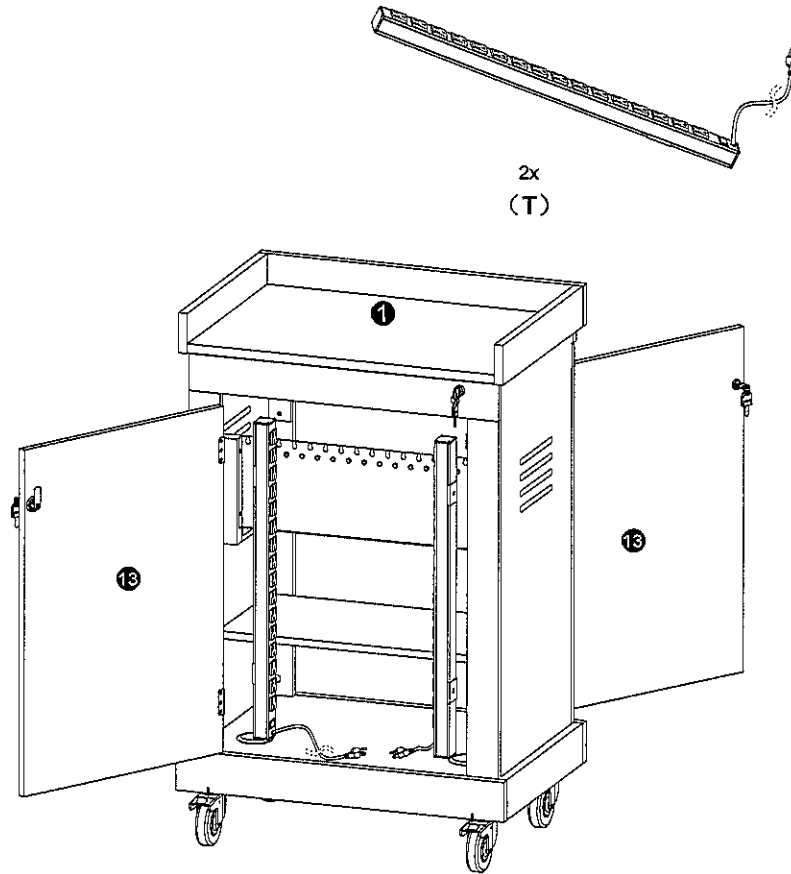
Step 15

Install grommet covers (part N) into the three pre-drilled grommet holes as shown in the picture.



Step 16

Install both power strips (part T) onto the power strip clips on the front inside of the cabinet.
See picture below.



Step 17

Install two shelf support brackets (part R) onto panel sixteen using four screws (part P) each. Attach brackets on panels sixteen to panel four using four screws (part P) each.

